



Low Line
Most compact coolers!



asa progress in cooling

More than 30 years experience in heat transfer equipment and special hydraulic components has made us become a global leader in advanced technologies.

asa's global capacities follow worldwide standards, confirmed by successful ISO 9001 quality management and client audits. The modular design and patented solutions of our products offer many advantages for customizing the product to your application.

Over the years, asa has continually developed into a globally active systems supplier. Despite this evolution, we consciously maintained the medium sized structure of a family owned company. As a result we are able to respond quickly and flexibly to our customer's demands and to promote our innovations.

This catalogue provides a technical overview of our standard products. Please contact us, if more detailed information is required or if you cannot find the optimal product for you.

our standard range

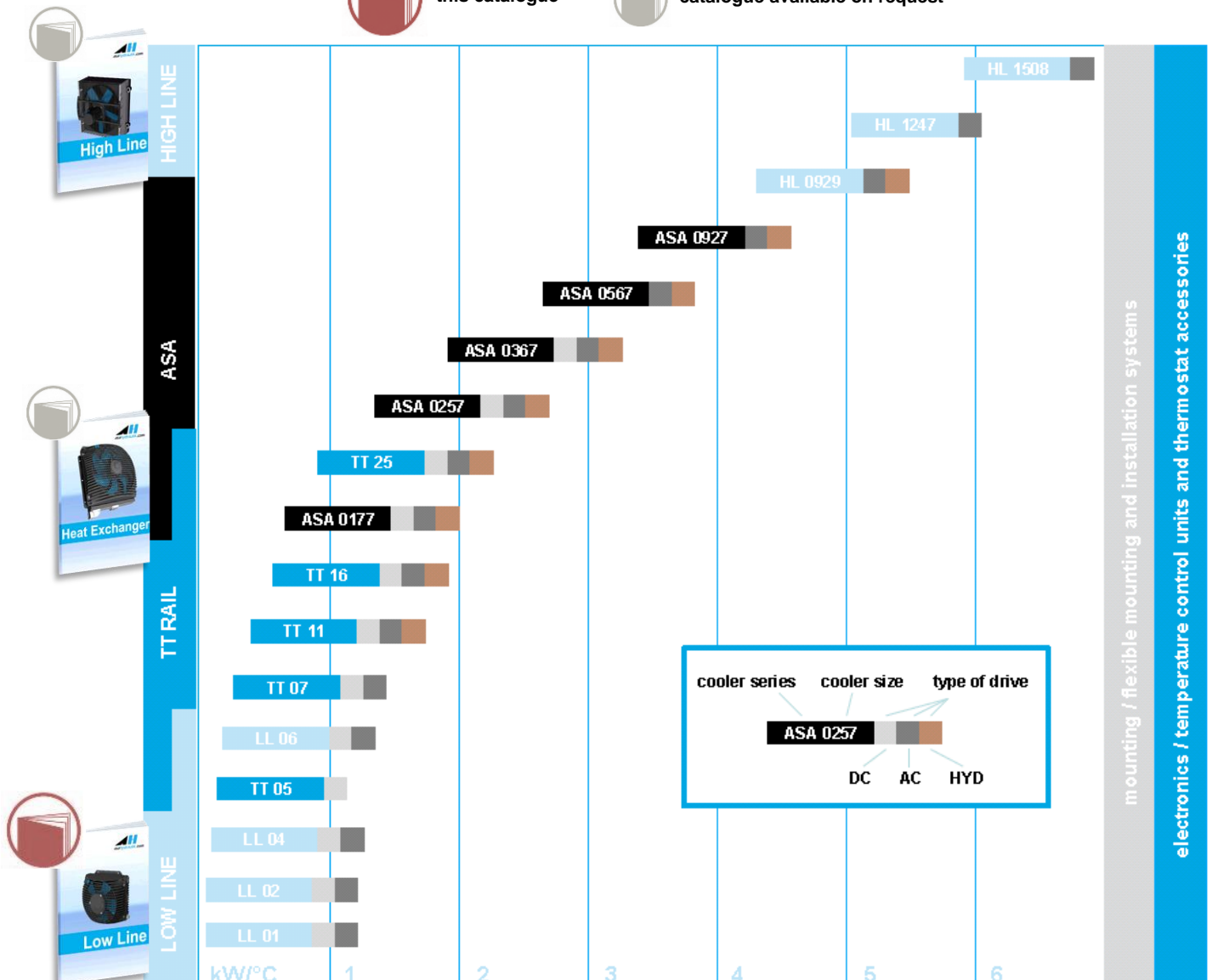
Our standard range of oil / air blast coolers is divided into 4 series. The overview below shows the 4 series, the performance ranges and the possible type of drive on each cooler size. Please contact us for the complementary product catalogues and any further assistance.



this catalogue



catalogue available on request

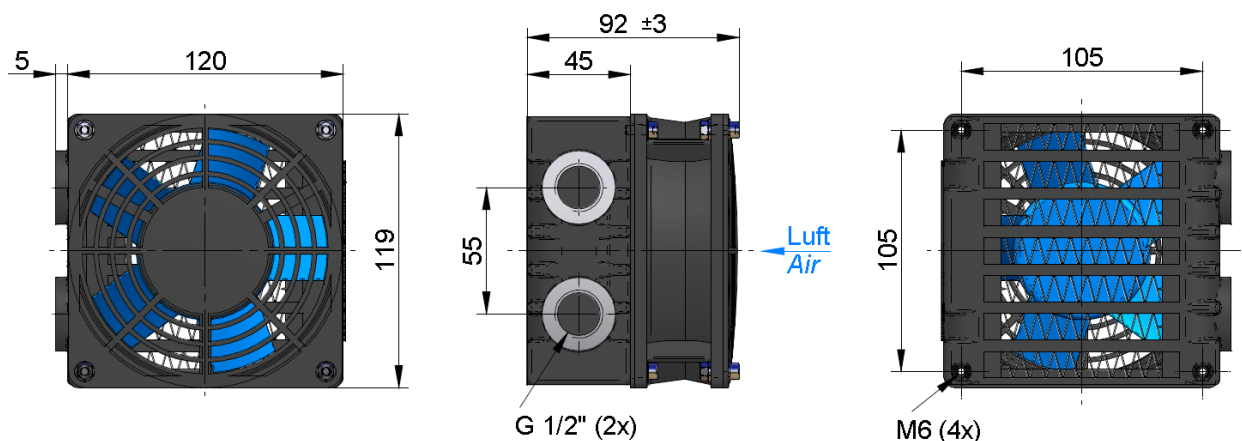


mounting / flexible mounting and installation systems

electronics / temperature control units and thermostat accessories

Oil / Air Cooler LL 01

12V / 24V DC

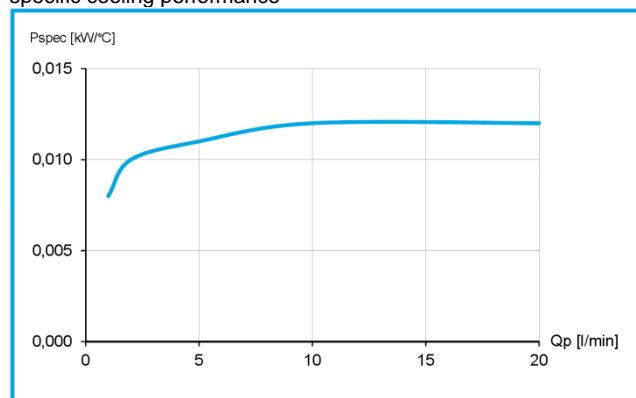


Technical Data

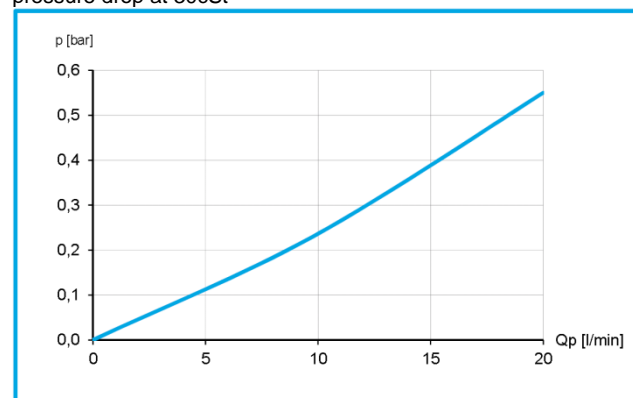
order number	description	current	protection level	rotation	air flow	noise level	weight
		[A]		[rpm]	[kg/s]	[dB(A)]	[kg]
ASA0013GD01	LL 01 12V DC	0,30	IP 20	2800	0,04	44	1,4
ASA0013GD02	LL 01 24V DC	0,15	IP 20	2800	0,04	44	1,4

Performance

specific cooling performance



pressure drop at 30cSt



Radiator

material:	aluminium
working temperature range:	-20°C to +100°C (oil temperature)
air fin shape:	wavy
working pressure:	26 bar (static)

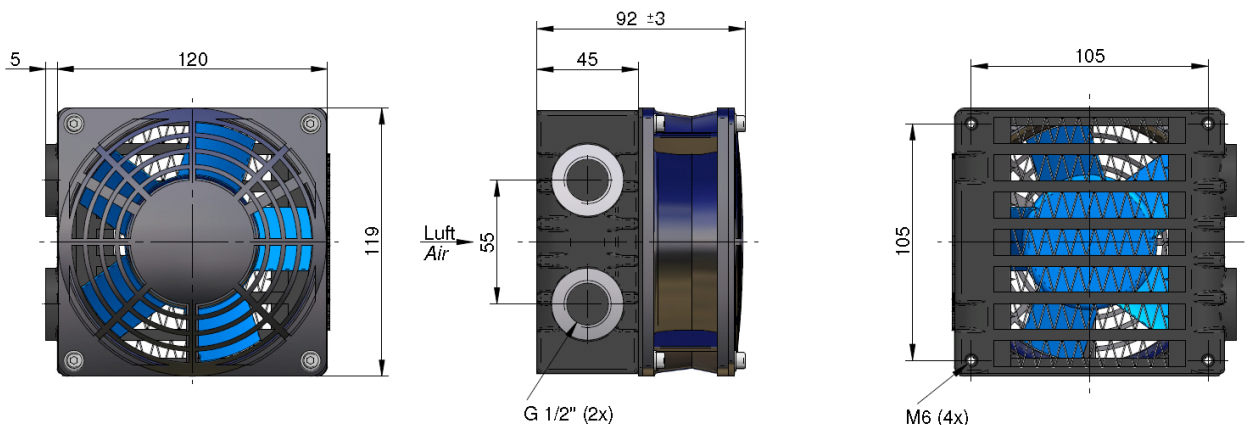
Please contact us for further options and assistance, read manual before installation!



This data sheet shows a technical overview of our products. Please contact us if more exact information is needed. As we are constantly improving our products, their characteristics, dimensions and weights may also change, although we do our best to incorporate these changes continually. The information in this data sheet is intended to be used as a first general guideline only. asa assumes no liability for any information therein, any errors, omissions, misprints, nor any direct or indirect damages, losses or costs resulting therefrom. The cooling performance and the general technical values indicated in this catalogue are measured at a test bench according to asa testing procedures. Because there is no standardized testing procedure, tests used by other manufacturers could have different results. Due to different conditions in testing and application environments the cooling performance may also vary by +/- 15%. Therefore we recommend all coolers to be checked under the system operating conditions. This is also true of vibrations and mechanical stress as well as for pressure peaks and thermal stress and any other relevant factors.

Oil / Air Cooler LL 01

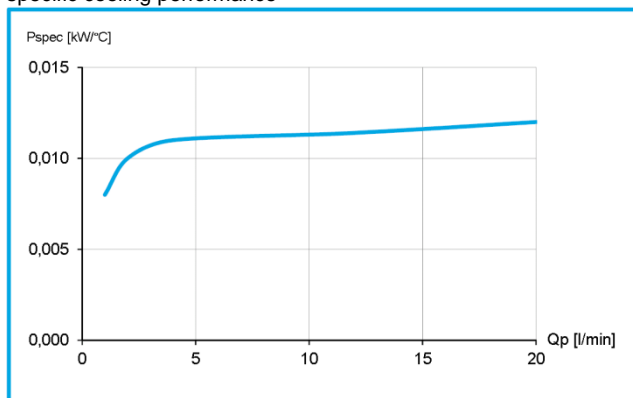
230V 50Hz AC



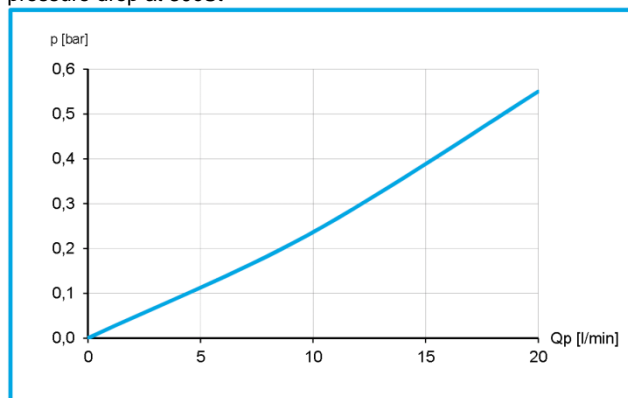
order number	description	power [kW]	current [A]	frequency [Hz]	protection	rotation [rpm]	air flow [kg/s]	noise level [dB(A)]	weight [kg]
ASA0013GE01	ASA LL 01 230V AC	0,02	0,12	50	IP 20	2650	0,04	41	1,4

Performance

specific cooling performance



pressure drop at 30cSt



Radiator

material:	aluminium
working temperature range:	-20°C to +100°C (oil temperature)
air fin shape:	wavy
working pressure:	26 bar (static)

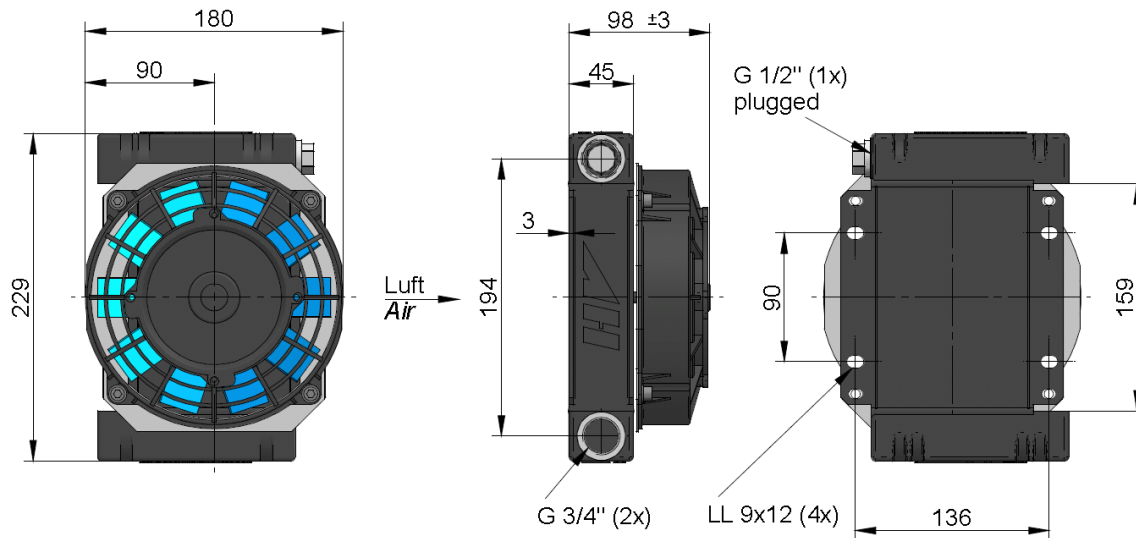
Please contact us for further options and assistance, read manual before installation!



This data sheet shows a technical overview of our products. Please contact us if more exact information is needed. As we are constantly improving our products, their characteristics, dimensions and weights may also change, although we do our best to incorporate these changes continually. The information in this data sheet is intended to be used as a first general guideline only. asa assumes no liability for any information therein, any errors, omissions, misprints, nor any direct or indirect damages, losses or costs resulting therefrom. The cooling performance and the general technical values indicated in this catalogue are measured at a test bench according to asa testing procedures. Because there is no standardized testing procedure, tests used by other manufacturers could have different results. Due to different conditions in testing and application environments the cooling performance may also vary by +/- 15%. Therefore we recommend all coolers to be checked under the system operating conditions. This is also true of vibrations and mechanical stress as well as for pressure peaks and thermal stress and any other relevant factors.

Oil / Air Cooler LL 02

12V / 24V DC

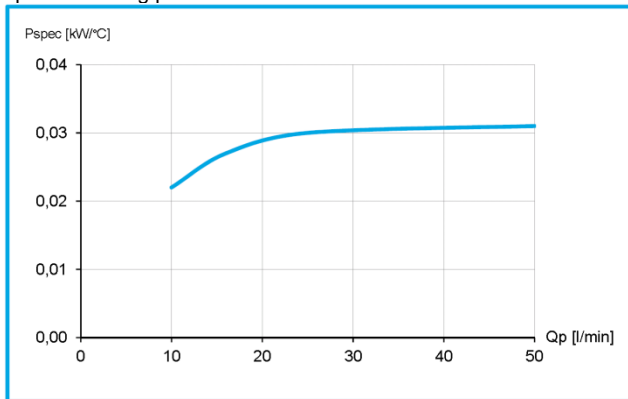


Technical Data

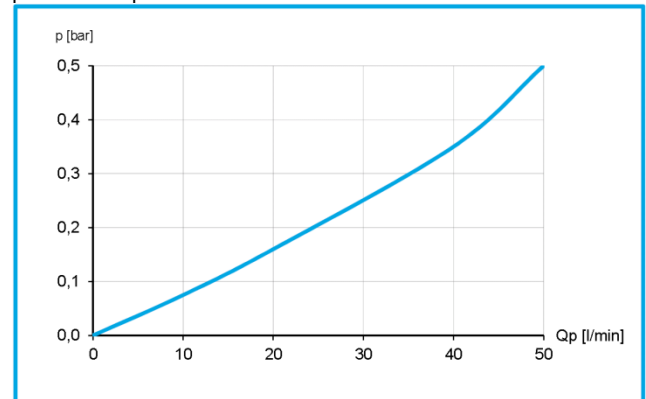
order number	description	current	protection level	rotation	air flow	noise level	weight
		[A]		[rpm]	[kg/s]	[dB(A)]	[kg]
ASA0023GD01	LL 02 12V DC	5,4	IP 68	3280	0,16	68	4
ASA0023GD02	LL 02 24V DC	2,7	IP 68	3280	0,16	68	4

Performance

specific cooling performance



pressure drop at 30cSt



Radiator

material:	aluminium
working temperature range:	-20°C to +100°C (oil temperature)
air fin shape:	wavy
working pressure:	26 bar (static)

Options

temperature switches IP65	ILLZTH4765K, ILLZTH6065K
temperature switches IP69K	ILLZTH5069K, ILLZTH6069K, ILLZTH9069K

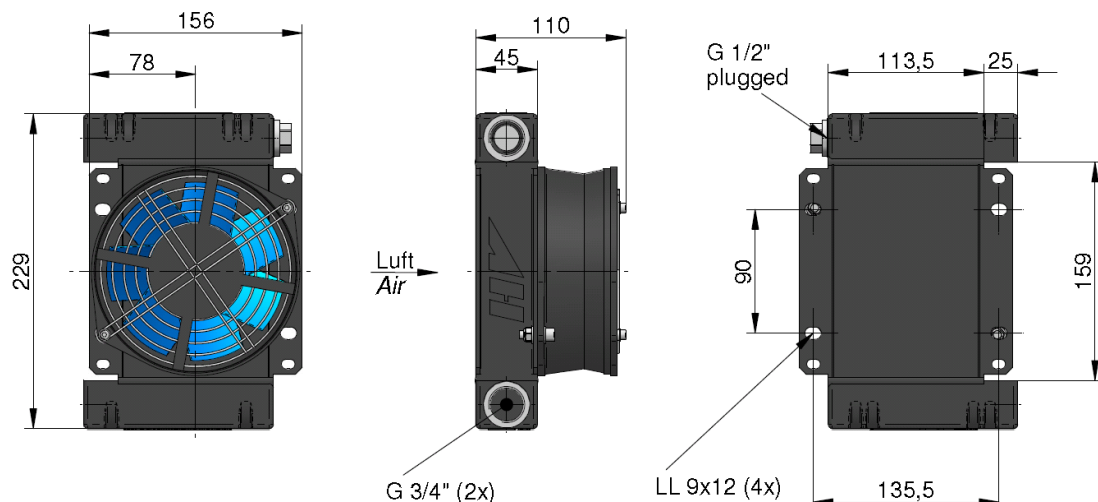


Please contact us for further options and assistance, read manual before installation!

This data sheet shows a technical overview of our products. Please contact us if more exact information is needed. As we are constantly improving our products, their characteristics, dimensions and weights may also change, although we do our best to incorporate these changes continually. The information in this data sheet is intended to be used as a first general guideline only. asa assumes no liability for any information therein, any errors, omissions, misprints, nor any direct or indirect damages, losses or costs resulting therefrom. The cooling performance and the general technical values indicated in this catalogue are measured at a test bench according to asa testing procedures. Because there is no standardized testing procedure, tests used by other manufacturers could have different results. Due to different conditions in testing and application environments the cooling performance may also vary by +/- 15%. Therefore we recommend all coolers to be checked under the system operating conditions. This is also true of vibrations and mechanical stress as well as for pressure peaks and thermal stress and any other relevant factors.

Oil / Air Cooler LL 02

230V 50Hz AC

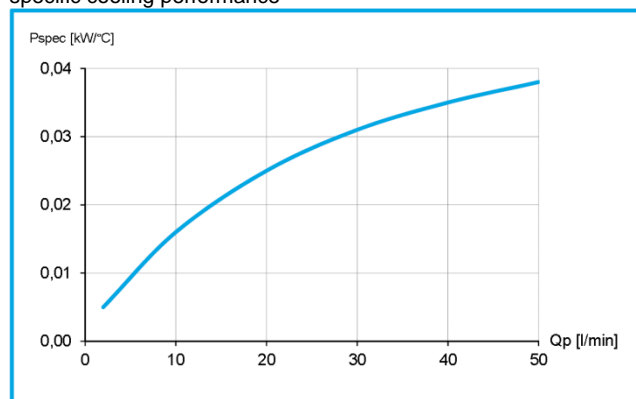


Technical Data

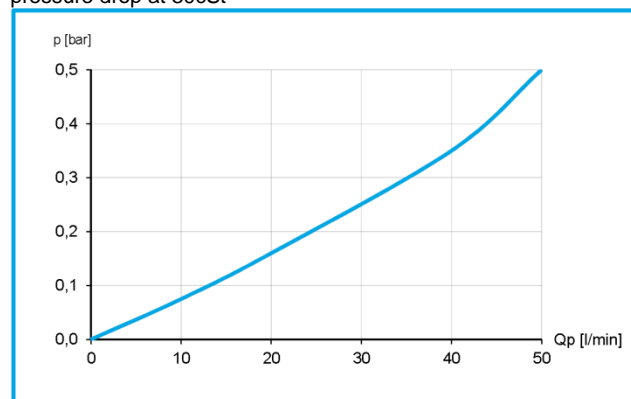
order number	description	power	current	frequency	protection	rotation	air flow	noise level	weight
		[kW]	[A]	[Hz]		[rpm]	[kg/s]	[dB(A)]	[kg]
ASA0023GE02	LL 02 230V AC	0,04	0,25	50	IP 20	2760	0,04	52	2,5

Performance

specific cooling performance



pressure drop at 30cSt



Radiator

material:	aluminium
working temperature range:	-20°C to +100°C (oil temperature)
air fin shape:	wavy
working pressure:	26 bar (static)

Options

temperature switches IP65	ILLZTH4765K, ILLZTH6065K
---------------------------	--------------------------

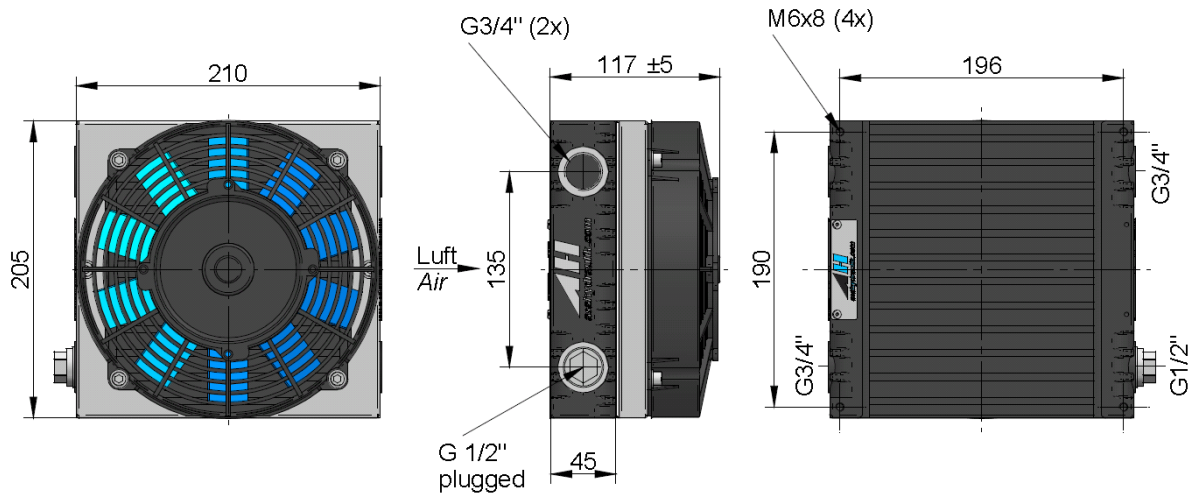


Please contact us for further options and assistance, read manual before installation!

This data sheet shows a technical overview of our products. Please contact us if more exact information is needed. As we are constantly improving our products, their characteristics, dimensions and weights may also change, although we do our best to incorporate these changes continually. The information in this data sheet is intended to be used as a first general guideline only. asa assumes no liability for any information therein, any errors, omissions, misprints, nor any direct or indirect damages, losses or costs resulting therefrom. The cooling performance and the general technical values indicated in this catalogue are measured at a test bench according to asa testing procedures. Because there is no standardized testing procedure, tests used by other manufacturers could have different results. Due to different conditions in testing and application environments the cooling performance may also vary by +/- 15%. Therefore we recommend all coolers to be checked under the system operating conditions. This is also true of vibrations and mechanical stress as well as for pressure peaks and thermal stress and any other relevant factors.

Oil / Air Cooler LL 04

12V / 24V DC

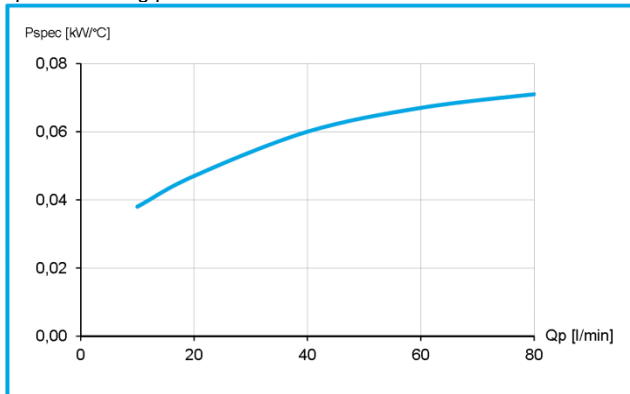


Technical Data

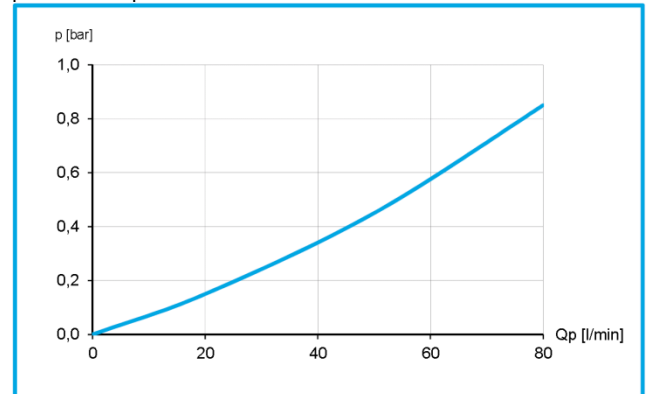
order number	description	current	protection level	rotation	air flow	noise level	weight
		[A]		[rpm]	[kg/s]	[dB(A)]	[kg]
ASA0043GD01	LL 04 12V DC	5,4	IP 68	3280	0,16	68	4
ASA0043GD02	LL 04 24V DC	2,7	IP 68	3280	0,16	68	4

Performance

specific cooling performance



pressure drop at 30cSt



Radiator

material:	aluminium
working temperature range:	-20°C to +100°C (oil temperature)
air fin shape:	wavy
working pressure:	26 bar (static)

Options

temperature switches IP65	ILLZTH4765K, ILLZTH6065K
temperature switches IP69K	ILLZTH5069K, ILLZTH6069K, ILLZTH9069K
temperaure control	ILLZTC12-2K, ILLZTC24-2K

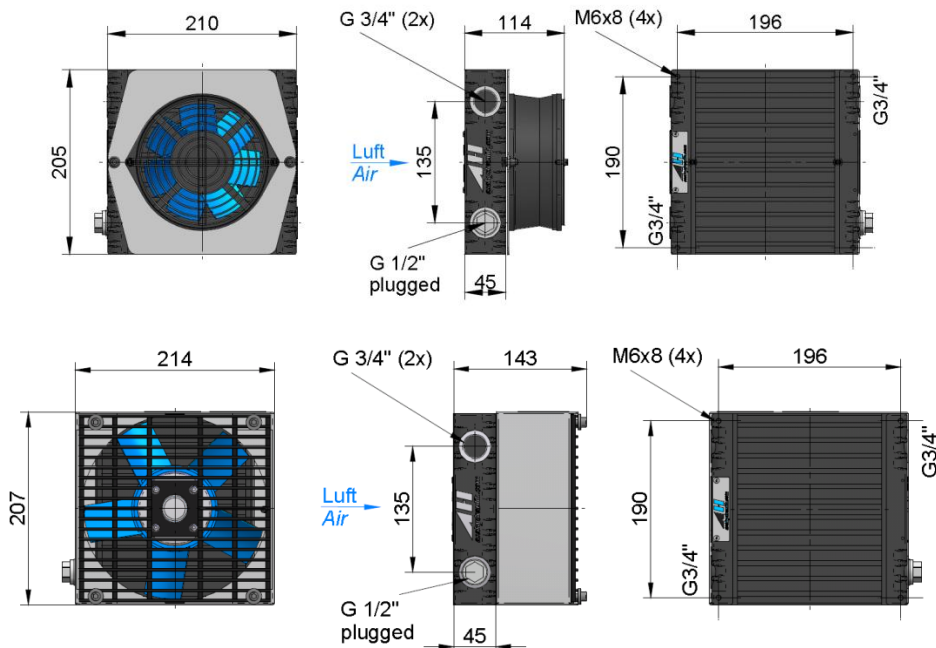
Please contact us for further options and assistance, read manual before installation!



This data sheet shows a technical overview of our products. Please contact us if more exact information is needed. As we are constantly improving our products, their characteristics, dimensions and weights may also change, although we do our best to incorporate these changes continually. The information in this data sheet is intended to be used as a first general guideline only. asa assumes no liability for any information therein, any errors, omissions, misprints, nor any direct or indirect damages, losses or costs resulting therefrom. The cooling performance and the general technical values indicated in this catalogue are measured at a test bench according to asa testing procedures. Because there is no standardized testing procedure, tests used by other manufacturers could have different results. Due to different conditions in testing and application environments the cooling performance may also vary by +/- 15%. Therefore we recommend all coolers to be checked under the system operating conditions. This is also true of vibrations and mechanical stress as well as for pressure peaks and thermal stress and any other relevant factors.

Oil / Air Cooler LL 04

230V 50Hz 1-phase / 230/400V 50Hz 3-phase

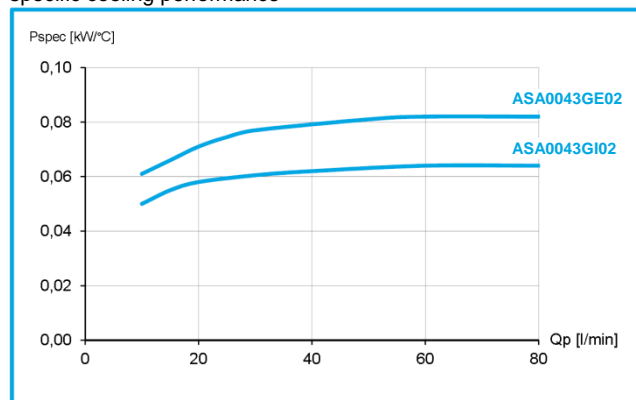


Technical Data

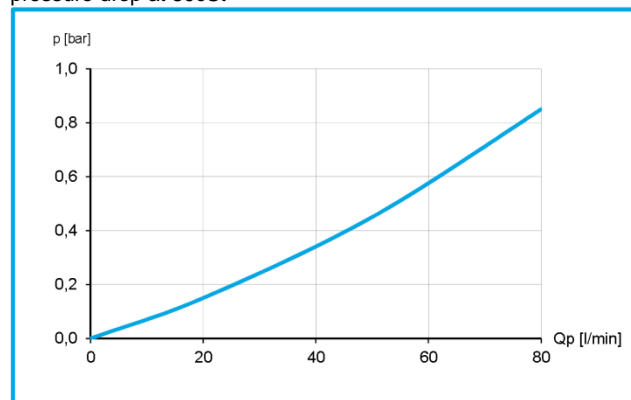
order number	description	power [kW]	current [A]	frequency [Hz]	protection	rotation [rpm]	air flow [kg/s]	noise level [dB(A)]	weight [kg]
ASA0043GE02	LL 04 230V AC	0,04	0,25	50	IP 20	2760	0,09	56	4,3
ASA0043GI02	LL 04 230/400V AC	0,05	0,15	50	IP 44	2760	0,15	66	5,9

Performance

specific cooling performance



pressure drop at 30cSt



Radiator

material:	aluminium
working temperature range:	-20°C to +100°C (oil temperature)
air fin shape:	wavy
working pressure:	26 bar (static)



Options

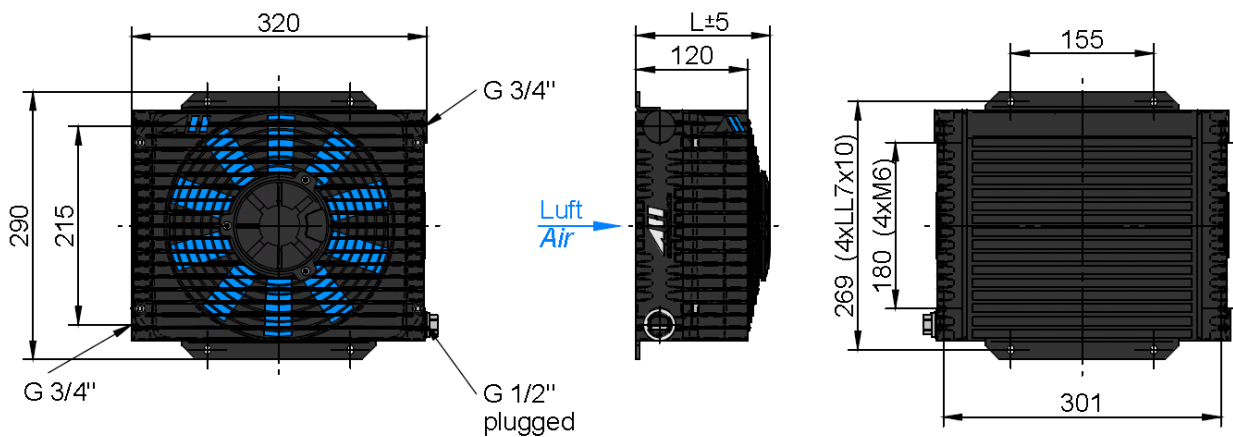
temperature switches IP65	ILLZTH4765K, ILLZTH6065K
---------------------------	--------------------------

Please contact us for further options and assistance, read manual before installation!

This data sheet shows a technical overview of our products. Please contact us if more exact information is needed. As we are constantly improving our products, their characteristics, dimensions and weights may also change, although we do our best to incorporate these changes continually. The information in this data sheet is intended to be used as a first general guideline only. asa assumes no liability for any information therein, any errors, omissions, misprints, nor any direct or indirect damages, losses or costs resulting therefrom. The cooling performance and the general technical values indicated in this catalogue are measured at a test bench according to asa testing procedures. Because there is no standardized testing procedure, tests used by other manufacturers could have different results. Due to different conditions in testing and application environments the cooling performance may also vary by +/- 15%. Therefore we recommend all coolers to be checked under the system operating conditions. This is also true of vibrations and mechanical stress as well as for pressure peaks and thermal stress and any other relevant factors.

Oil / Air Cooler LL 06

12V / 24V DC

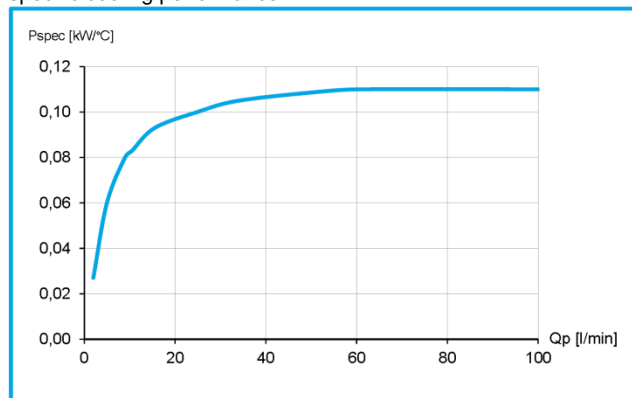


Technical Data

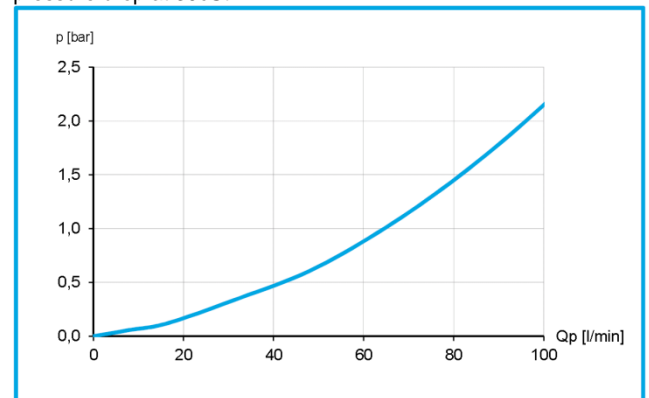
order number	description	current	protection level	rotation	air flow	noise level	weight
		[A]		[rpm]	[kg/s]	[dB(A)]	[kg]
ASATT06GD03	LL 06 12V DC	7,4	IP 68	3000	0,29	74	6
ASATT06GD04	LL 06 24V DC	3,7	IP 68	3000	0,29	74	6

Performance

specific cooling performance



pressure drop at 30cSt



Radiator

material:	aluminium
working temperature range:	-20°C to +100°C (oil temperature)
air fin shape:	wavy
working pressure:	26 bar (static)

Options

internal bypass (2bar)	ASATT06GD03BP, ASATT06GD04BP
mounting feet kit	ILLEFUSSTT06K
temperature switches IP65	ILLZTH4765K, ILLZTH6065K
temperature switches IP69K	ILLZTH5069K, ILLZTH6069K, ILLZTH9069K
temperature control	ILLZTC12-2K, ILLZTC24-2K

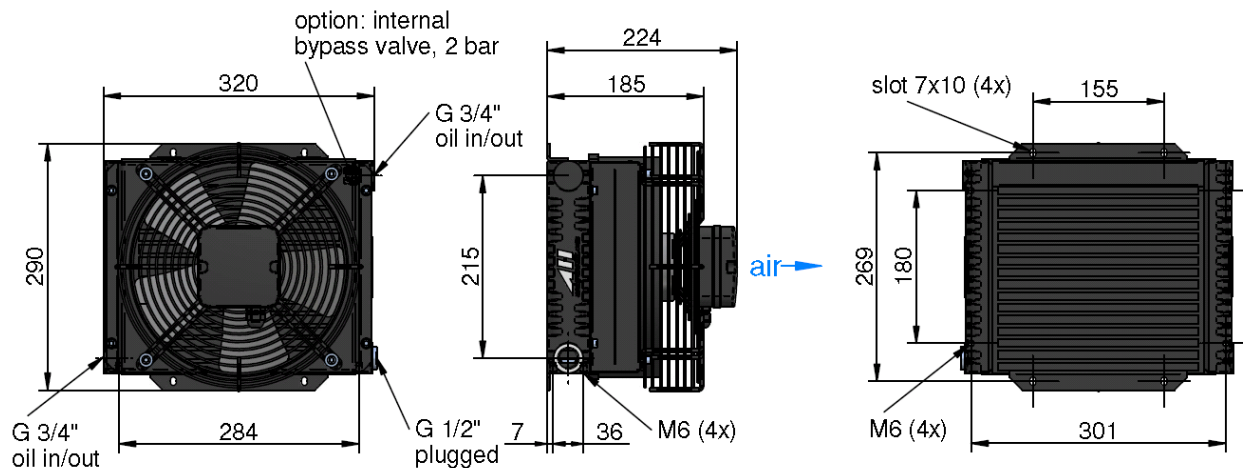


Please contact us for further options and assistance, read manual before installation!

This data sheet shows a technical overview of our products. Please contact us if more exact information is needed. As we are constantly improving our products, their characteristics, dimensions and weights may also change, although we do our best to incorporate these changes continually. The information in this data sheet is intended to be used as a first general guideline only. asa assumes no liability for any information therein, any errors, omissions, misprints, nor any direct or indirect damages, losses or costs resulting therefrom. The cooling performance and the general technical values indicated in this catalogue are measured at a test bench according to asa testing procedures. Because there is no standardized testing procedure, tests used by other manufacturers could have different results. Due to different conditions in testing and application environments the cooling performance may also vary by +/- 15%. Therefore we recommend all coolers to be checked under the system operating conditions. This is also true of vibrations and mechanical stress as well as for pressure peaks and thermal stress and any other relevant factors.

Oil / Air Cooler LL 06

230V 50Hz

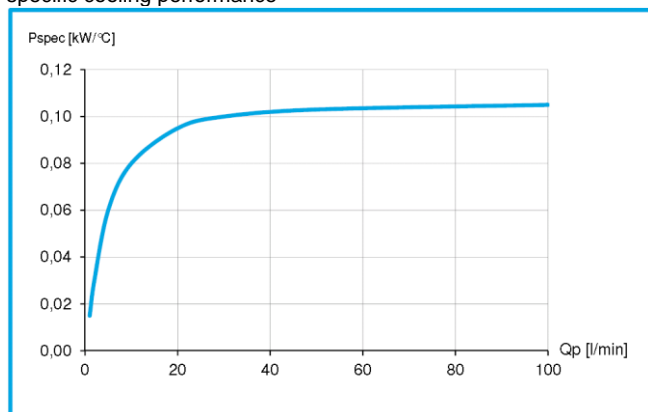


Technical Data

order number	description	power [kW]	current [A]	frequency [Hz]	protection	rotation [rpm]	air flow [kg/s]	noise level [dB(A)]	weight [kg]
ASATT06GC2E	ASA TT 06 AC compact	0,10	0,45	50	IP 44	2480	0,23	66	7,9

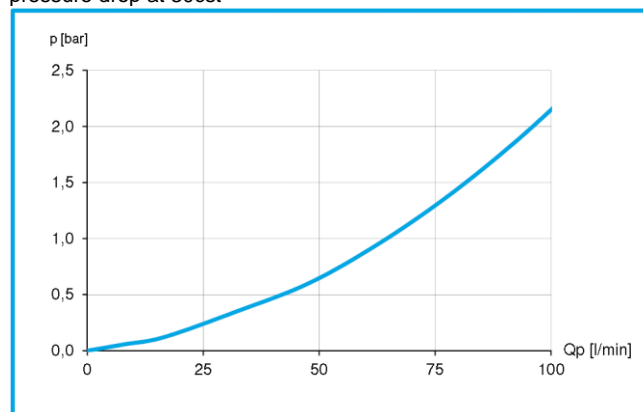
Performance

specific cooling performance



*60Hz cooling performance on request

pressure drop at 30cst



Radiator

material:	aluminium
working temperature range:	-20°C to +100°C (oil temperature)
air fin shape:	wavy
working pressure:	26 bar (static)

Options

internal bypass (2bar)	ASATT06GC2EBP
mounting feet kit	ILLEFUSSTT06K
temperature switches IP65	ILLZTH4765K, ILLZTH6065K
temperature control 230V AC	ILLZTACK



Please contact us for further options and assistance, read manual before installation!

This data sheet shows a technical overview of our products. Please contact us if more exact information is needed. As we are constantly improving our products, their characteristics, dimensions and weights may also change, although we do our best to incorporate these changes continually. The information in this data sheet is intended to be used as a first general guideline only. asa assumes no liability for any information therein, any errors, omissions, misprints, nor any direct or indirect damages, losses or costs resulting therefrom. The cooling performance and the general technical values indicated in this catalogue are measured at a test bench according to asa testing procedures. Because there is no standardized testing procedure, tests used by other manufacturers could have different results. Due to different conditions in testing and application environments the cooling performance may also vary by +/- 15%. Therefore we recommend all coolers to be checked under the system operating conditions. This is also true of vibrations and mechanical stress as well as for pressure peaks and thermal stress and any other relevant factors.

special accessories & other products

COMPONENT SYSTEMS
Leading quality engineering!

E SERIES
Brazed stainless steel plate heat exchanger!

MOTOR/PUMP SYSTEMS
compact motor units with gerotor pumps

ATEX SERIES
ATEX certified air blast coolers according to CE Ex II 2G Eex c IIB T4

TANK FILTER SYSTEMS
Form follows function and creates innovative combinations of filter, tank and cooler

W SERIES
Special equipped heat exchangers for the wind energy industry, coastal and off shore applications

Please contact us for further information or see more products on our website. The calculation program for simple and exact cooler selection and our international correspondence is available for you 24h a day.

www.asahydraulik.com

This data sheet shows a technical overview of our products. Please contact us if more exact information is needed. As we are constantly improving our products, their characteristics, dimensions and weights may also change, although we do our best to incorporate these changes continually. The information in this data sheet is intended to be used as a first general guideline only. asa assumes no liability for any information therein, any errors, omissions, misprints, nor any direct or indirect damages, losses or costs resulting therefrom. The cooling performance and the general technical values indicated in this catalogue are measured at a test bench according to asa testing procedures. Because there is no standardized testing procedure, tests used by other manufacturers could have different results. Due to different conditions in testing and application environments the cooling performance may also vary by +/- 15%. Therefore we recommend all coolers to be checked under the system operating conditions. This is also true of vibrations and mechanical stress as well as for pressure peaks and thermal stress and any other relevant factors.



progress in cooling



Austria

asa hydraulik GmbH
 Prager Strasse 280
 A-1210, Vienna
 Tel.: +43 1 292 40 20
 Fax: +43 1 292 40 70
 support@asahydraulik.com

USA

asa hydraulik of America
 160 Meister Avenue 20 A
 Branchburg, New Jersey 08876
 Tel.: +1 800 473 94 00
 Fax: +1 908 541 15 50
 sales_us@asahydraulik.com

China

asa hydraulik of Kunshan
 江苏省昆山市千灯镇七浦西路25号
 postcode: 215341
 Tel.: +86 512 57950818
 Fax: +86 512 57950898
 kunshan@asahydraulik.com